

FIG 2

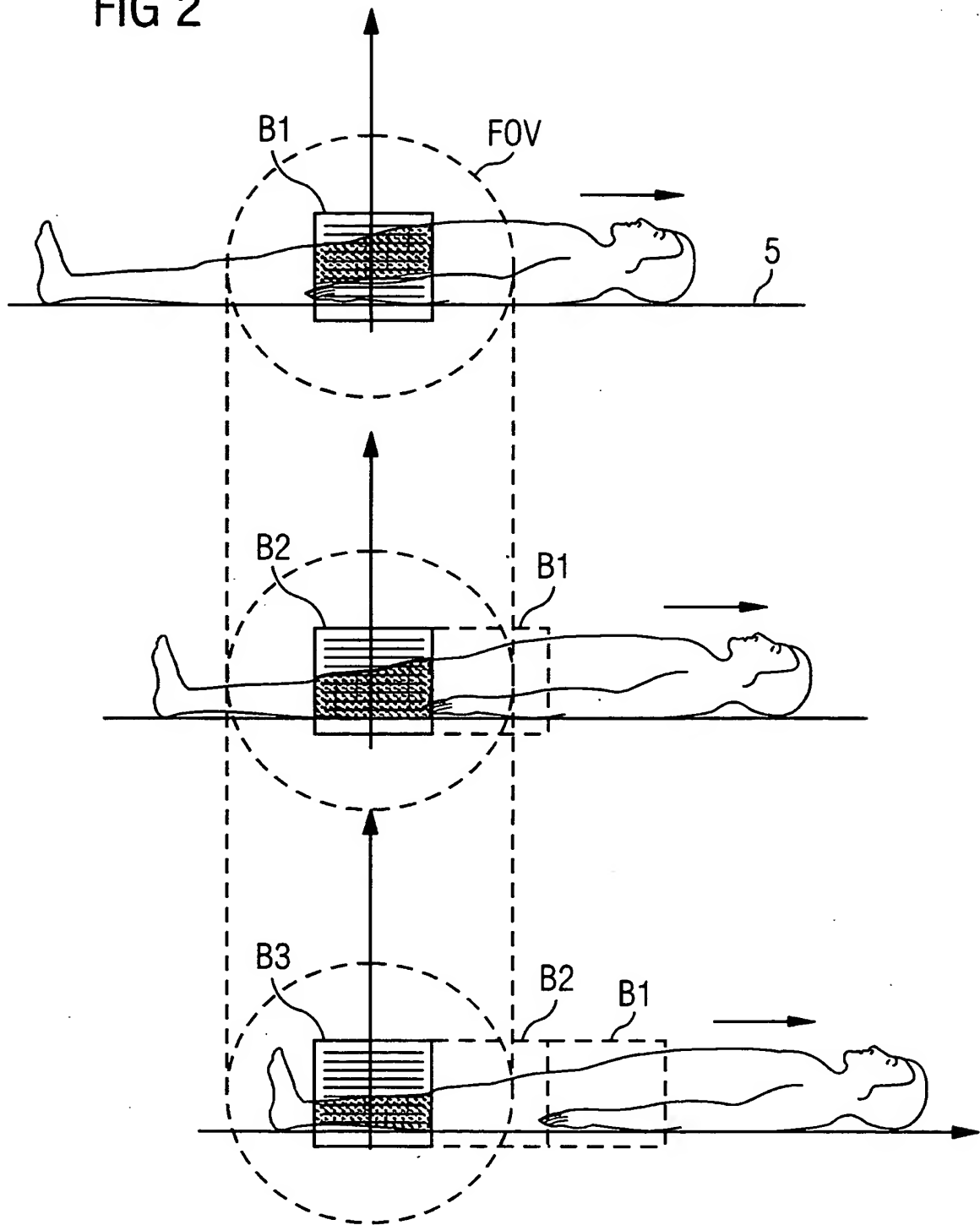
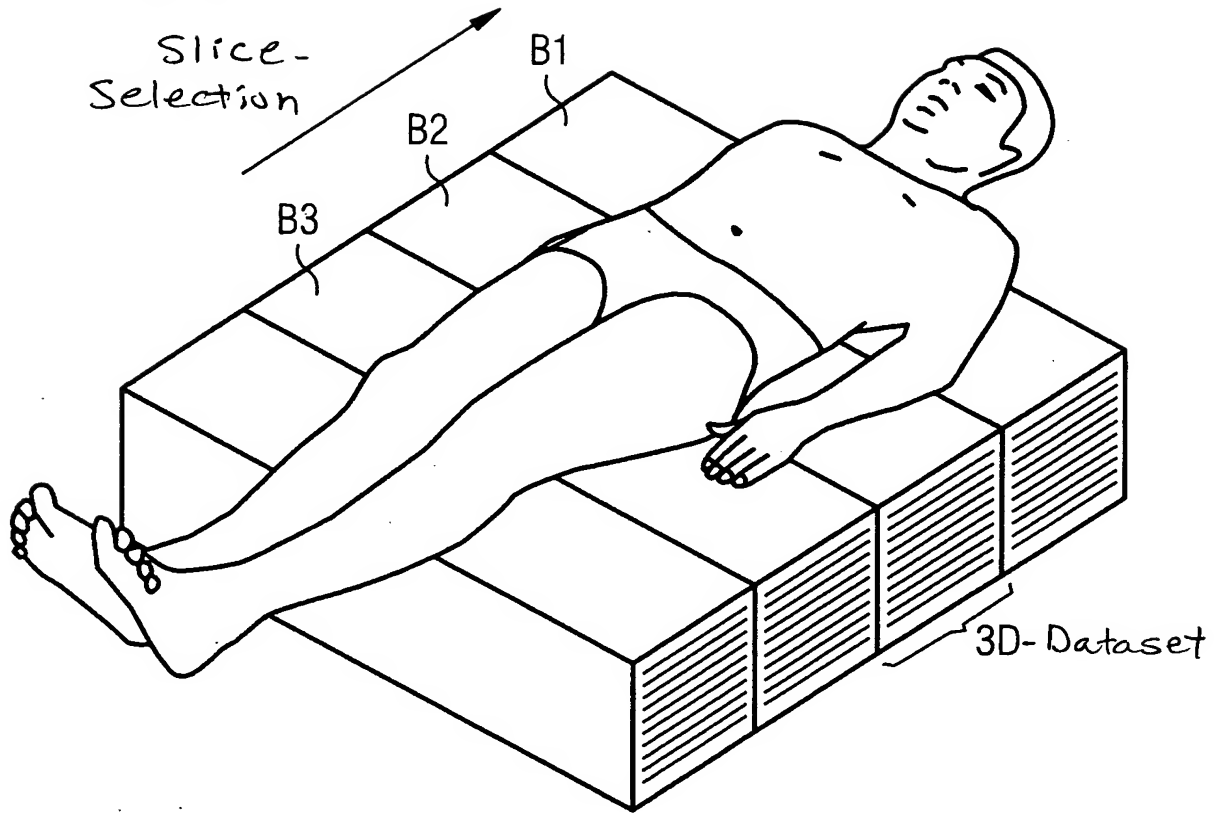


FIG 3



Phase Coding
(Slice Selection)

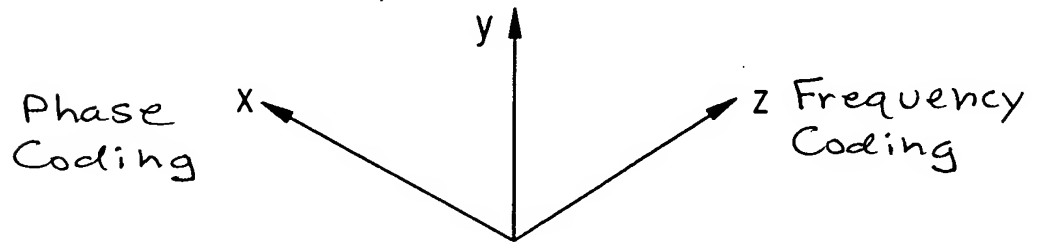


FIG 4

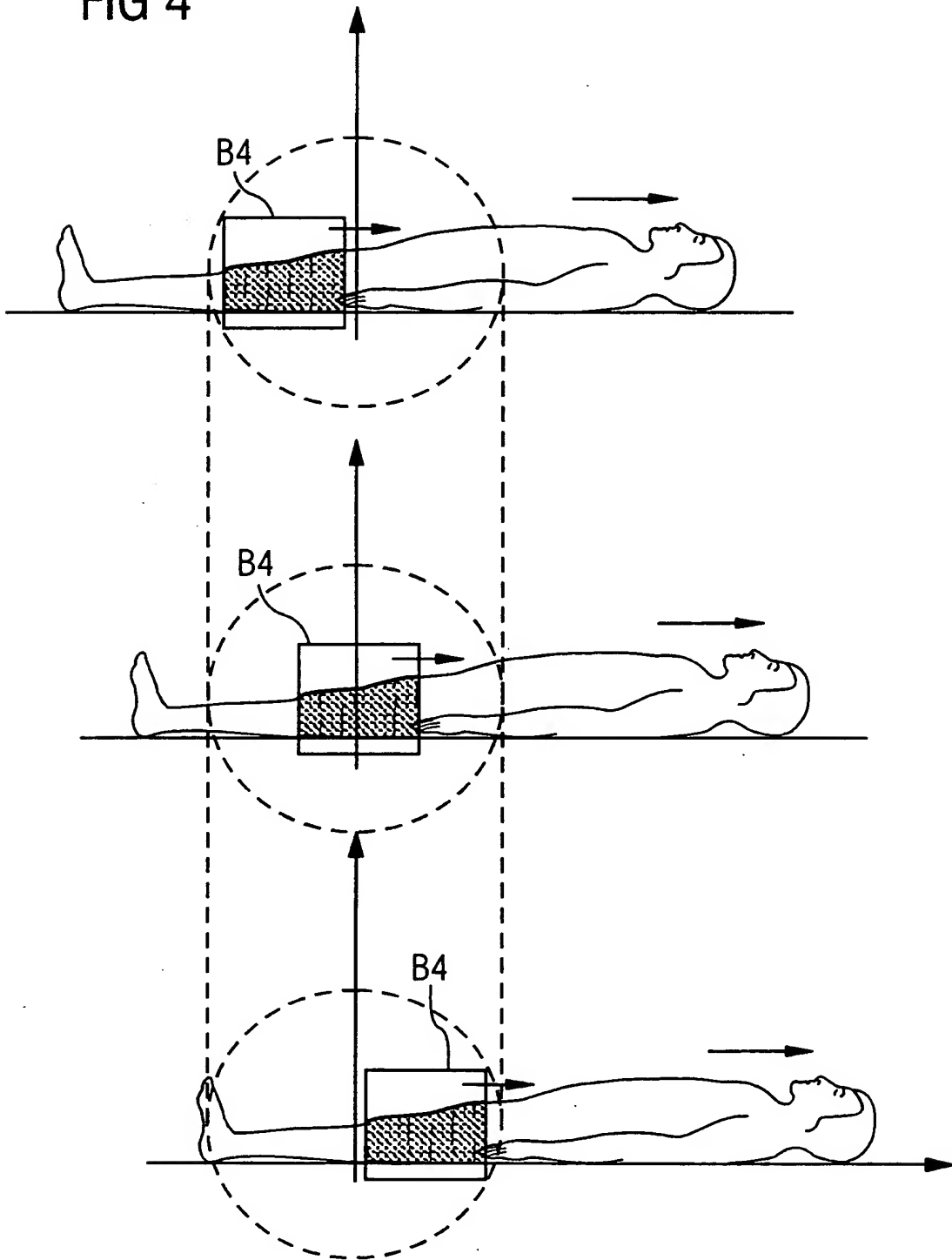


FIG 5

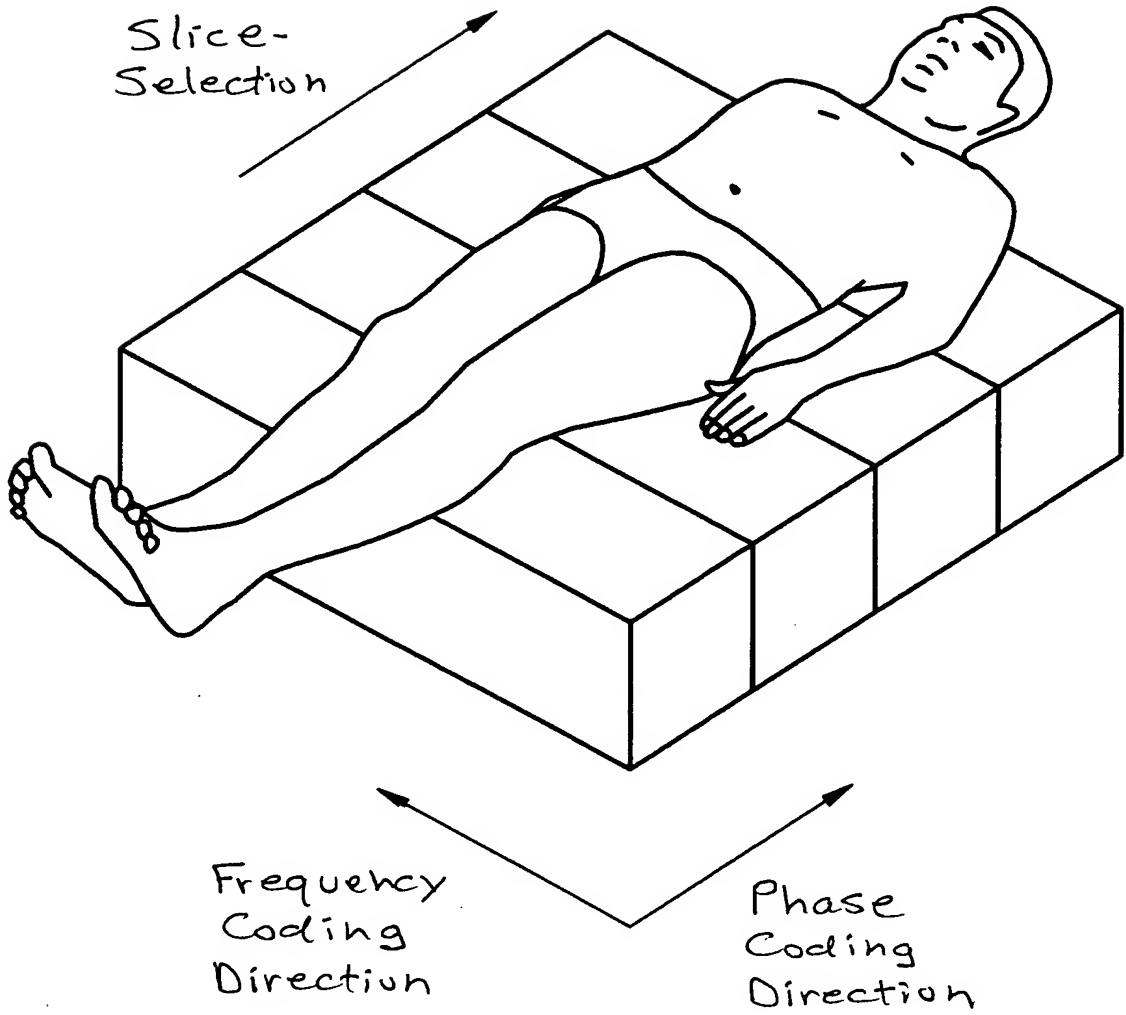


FIG 6

